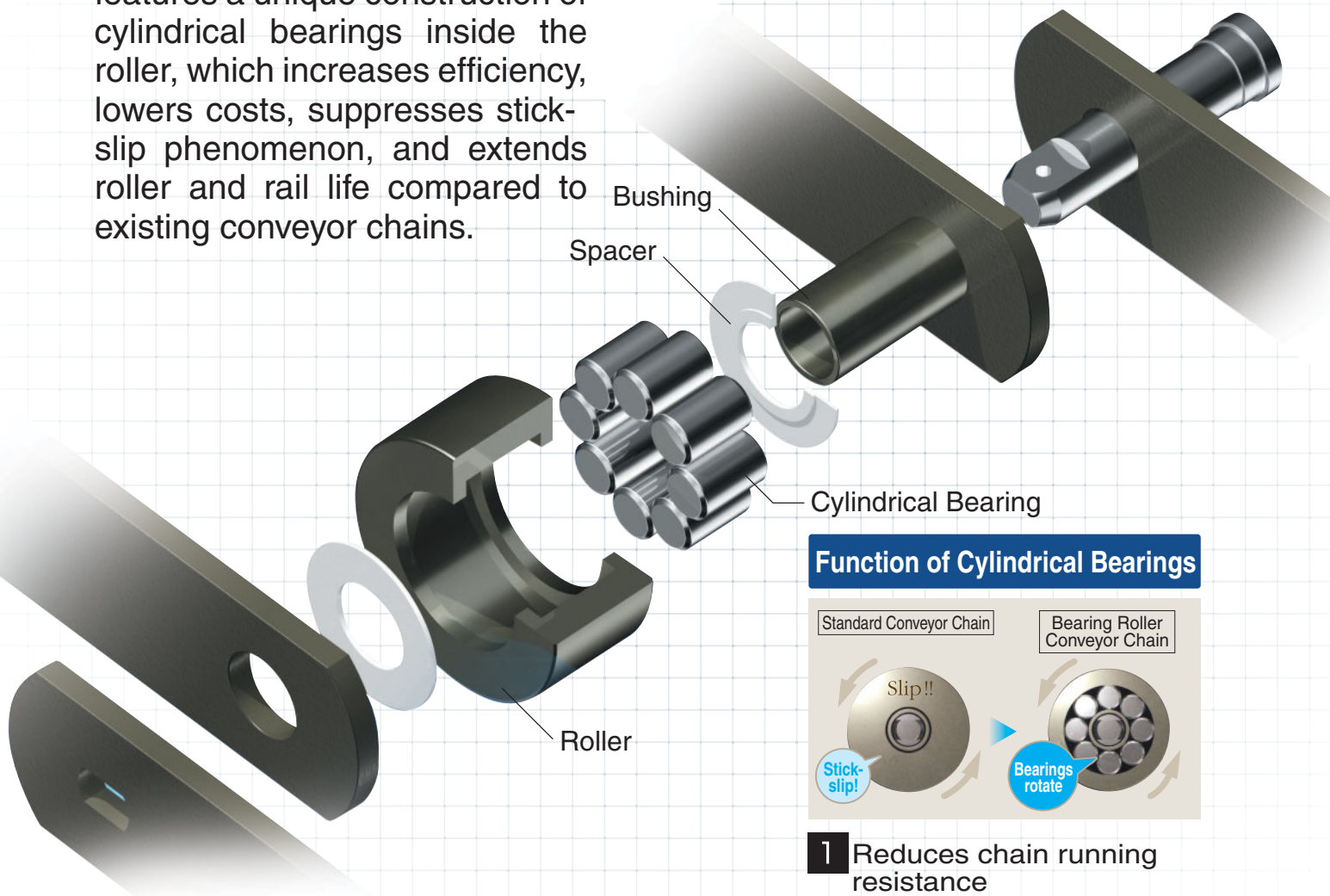


TSUBAKI Bearing Roller Conveyor Chain

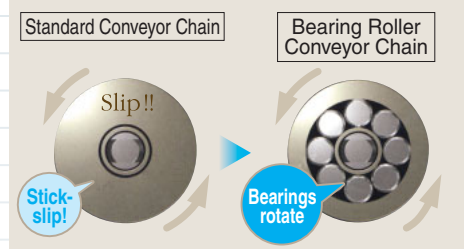


Bearing Roller Conveyor Chain – The Problem Solver!

Bearing Roller Conveyor Chain features a unique construction of cylindrical bearings inside the roller, which increases efficiency, lowers costs, suppresses stick-slip phenomenon, and extends roller and rail life compared to existing conveyor chains.



Function of Cylindrical Bearings



- 1** Reduces chain running resistance
(1/3 that of standard conveyor chain)
- 2** Greatly increases roller allowable load
- 3** Increases wear life

Product Lineup

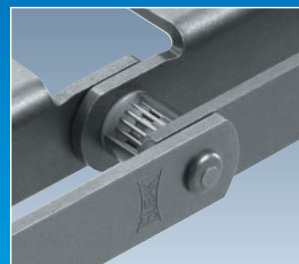
Standard Series



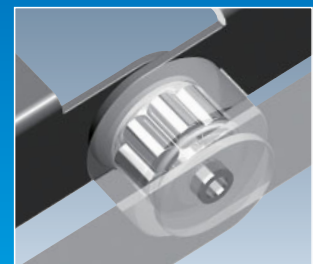
BR Type



BF Type



BS Type



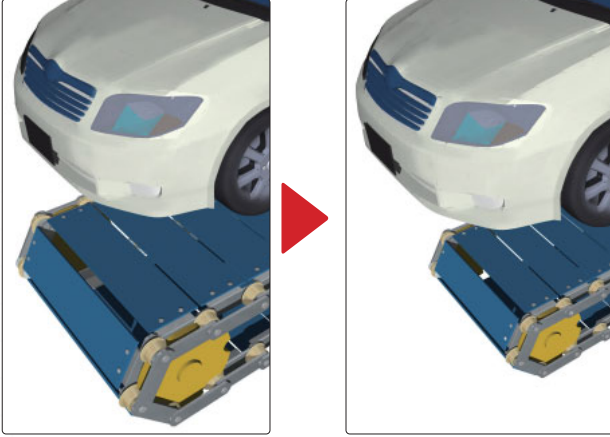
DBR Type
(Anti-dust Specifications)



Solution 1

Reduces chain tension and required drive

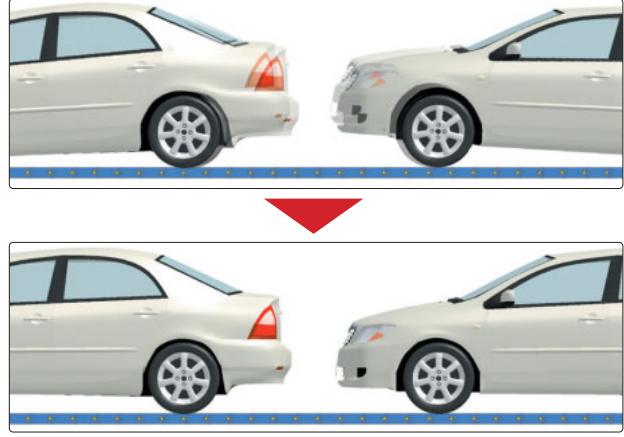
Chain tension and required drive are only 1/3 of standard conveyor chains. This allows users to choose a smaller size, as well as reduce the size of their conveyor and necessary drive power, for greater cost savings.



Solution 2

Prevents stick-slip phenomenon at low speeds

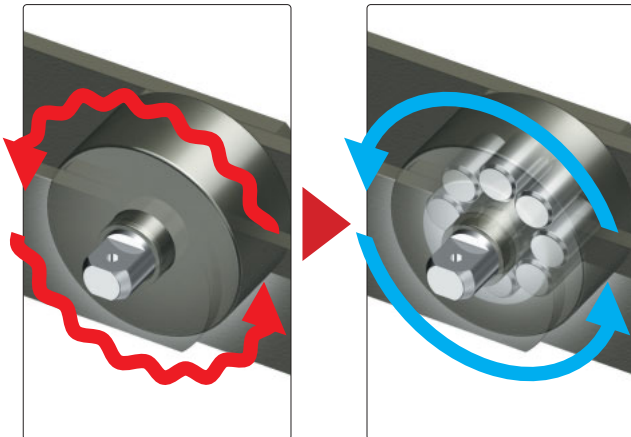
Preventing stick-slip and providing smooth movement ensures stable conveyance and eliminates motion sickness on assembly lines for higher productivity.



Solution 3

Controls poor roller rotation and decreases rail wear

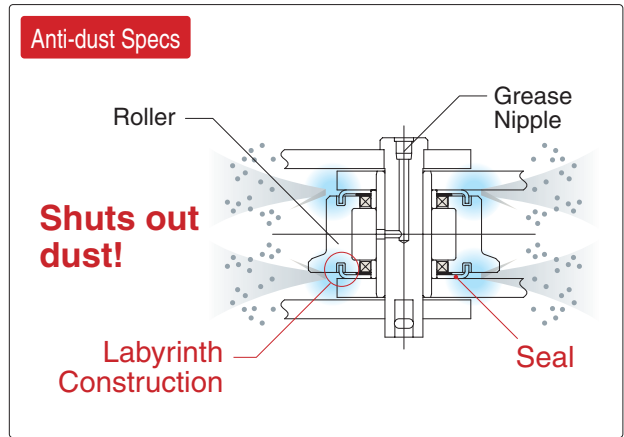
Cylindrical bearings ensure smooth roller rotation and reduce rail wear. Roller wear life is also dramatically increased.



Solution 4

Improved anti-dust capabilities

Tsubaki's Bearing Roller Conveyor Chain Anti-dust Specifications solves the problem of dust causing early wear between bushing and roller that afflicts standard conveyor chains.



Lube-free Series



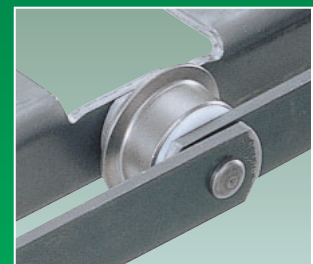
EBR Type
(Standard)



EBF Type
(Standard)



WEBR Type
(Water Resistant)



WEBF Type
(Water Resistant)

Problem solved - no matter what the application!

- Suppresses stick-slip phenomenon >>>P3
- Reduces maintenance time >>>P3
- Controls sliding noise >>>P4
- Helps prevent chain failure >>>P4
- Lowers energy costs >>>P4
- Reduces corner rail wear >>>P5
- Increases operation time >>>P5
- Lube-free for longer life >>>P5

Suppresses stick-slip phenomenon, increasing work efficiency

Standard Series
Standard Specs
BF Type

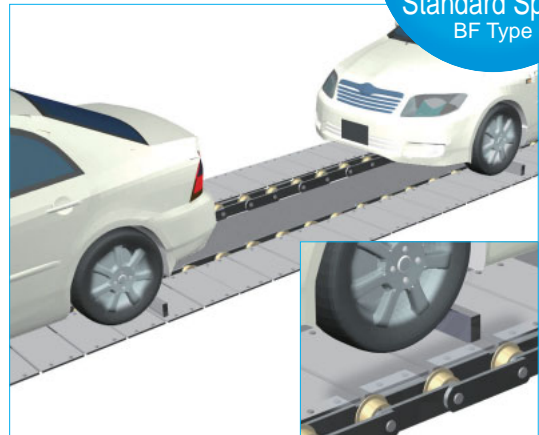
Problem

Normally, a chain with a thin metal sleeve press-fitted between the roller and bushing is used. At speeds of 5m/min or less, the chain experiences stick-slip, causing motion sickness in workers and decreasing work efficiency.

Problem-Solved!

Normal operation with no stick-slip seen, even at 2m/min. Motion sickness in workers also eliminated, leading to a better work environment.

Industry: Automotive
Machine: Assembly Line
Chain Size: RF17200BF-1LA2



Increases conveyor life while reducing maintenance time

Standard Series
Standard Specs
BS Type

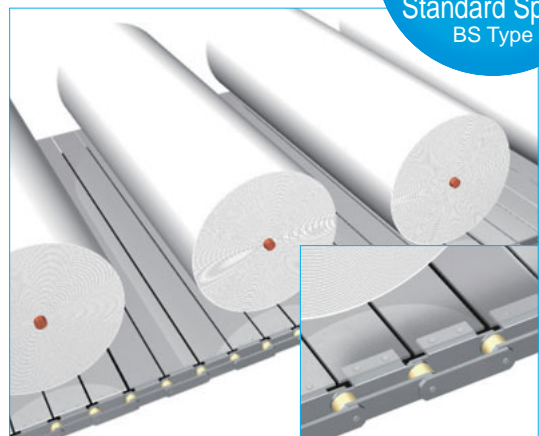
Problem

- Lubing impossible when conveying paper rolls.
- This causes poor roller rotation, leading to increased chain tension. This in turn leads to elongation of the plate holes and wear on the S roller outer diameter.

Problem Solved!

Bearing rollers provide for smooth roller rotation, resulting in less chain tension, reduced wear on the outer diameter, and much longer conveyor life.

Industry: Paper
Machine: Paper roll slat conveyor
Chain Size: RF10-BS





Effective against rail wear, and suppresses chain – rail sliding noise

Standard Series
Standard Specs
BR Type

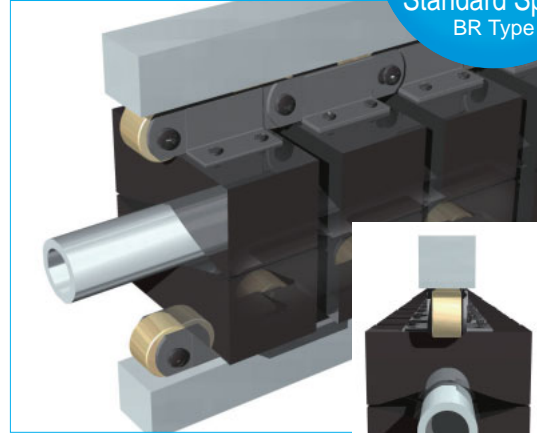
Problem

Normally, a standard chain with lubrication is used. Strong roller pressure on the conveyor pipe leads to poor roller rotation, greater rail wear, and shorter chain and rail life.

Problem Solved!

Smooth roller rotation and less rail wear means quieter running between chain and rail.

Industry: Steel
Seamless pipe conveyor
Chain Size: RF05075BR



Lowers chain tension in dusty environments and stops chain failure

Standard Series
Anti-dust Specs

Problem

Need a chain that will lower chain tension in dusty environments and stop chain failure.

Problem Solved!

Lubed once every 2 or 3 months
5 years of operation, no part problems

Industry: Recycling
Conveyed Items: Plastic, sand, stone, steel scrap, etc.
Chain Size: RF17



Lowers energy costs in dusty environments

Standard Series
Anti-dust Specs

Problem

Need a chain that can lower energy costs in dusty environments

Problem Solved!

Lubed once a year
1 year of operation with no part problems

Industry: Cement
Conveyed Items: Fly ash
Chain Size: RF26



Problem solved – no matter what the application!

Reduces corner rail wear on outdoor slanted conveyors

Lube-Free Series

Water Resistant Specs

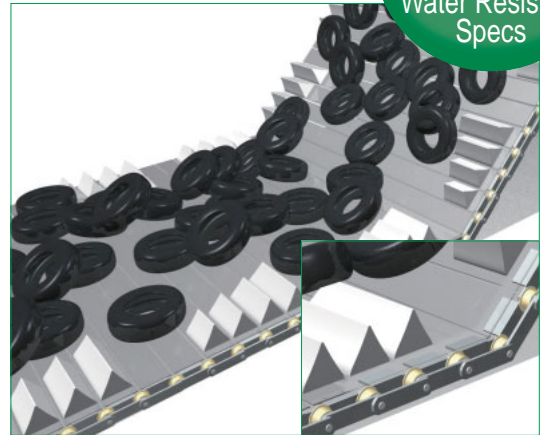
Problem

- Lube in standard conveyor chains sticks to the roller rotation surface on the rail, leading to poor roller rotation.
- This increases chain tension and roller reactive force on the corner, resulting in corner rail wear in 1 — 2 months.
- Equipment is located on the coast — lube-free would be best.

Problem Solved!

Smooth roller rotation reduces chain tension as well as the roller reactive force on the corner. This in turn helps control corner rail wear.

Industry: Cement
Used Tire Conveyor
Chain Size: RF17200WEBF



Suppresses stick-slip phenomenon and increases operation rate of production lines

Lube-Free Series

Standard Specs
Water Resistant Specs

Problem

- Stick-slip causes mis-operation of sensors during product inspection, which necessitates frequent line stops.
- Workers get motion-sick, leading to a bad working environment.
- Water from washing machine leak checks regularly get onto one side of the chain, leading to worse corrosion and shorter life than the opposite side.

Problem Solved!

No more line stops from stick-slip phenomenon interfering with sensor operation, leading to a better work environment. And switching to WEBF (Water Resistant type) on one side of the line extends chain life, even with water from leak checks contacting chain.

Industry: Home appliance
Washing Machine Conveyor
Chain Size: RF08150EBF/WEBF



No lubrication and longer life in shower testers for the automotive industry

Lube-Free Series

Water Resistant Specs

Problem

The shower tester lines are a particularly harsh process in the automotive industry. In the past, the issues of lube-free and long life were addressed with seals and grease nipples, or plastic inserts in the roller inner radius. However, none of these methods were satisfactory in terms of maintenance time and chain life.

Problem Solved!

We introduced our WEBF Series chain, which combines the reduced wear of seal and grease nipple types, and lube-free features of plastic inserts. WEBF provides long life even in contact with water or in lube-free environments.

Industry: Automotive
Machine: Shower Tester Conveyor
Chain Size: RF12200WEBF-1LA2





Specification Chart

Series Specification		Standard Series				Lube-Free Series				
		Standard Specs		Anti-dust Specs		Standard Specs		Water Resistant Specs		
Type		BR BF	BS	DBR DBF	EBR EBF	WEBR WEBF				
Roller Construction										
Roller Material	Roller(outer ring)	Hardened tensile steel	Hardened tensile steel	Hardened tensile steel	Hardened tensile steel	SUS400 stainless steel				
	Bearing	Case hardened alloy steel bearings	Case hardened alloy steel needle bearings	Case hardened alloy steel bearings	Case hardened alloy steel bearings and plastic bearings	SUS400 stainless steel bearings and plastic bearings				
	Bushing(inner ring)	Case hardened alloy steel	Case hardened alloy steel	Case hardened alloy steel	Case hardened alloy steel	SUS400 stainless steel				
	Spacer	Plastic	Plastic	Plastic	Plastic	Plastic				
	Seal	—	—	Rubber	—	—				
	Side Plate	—	—	Carbon steel	—	—				
Chain Specs	Plate	DT Series: Carbon steel AT Series: Hardened tensile steel	Carbon steel	DT Series: Carbon steel AT Series: Hardened tensile steel	DT Series: Carbon steel AT Series: Hardened tensile steel	Carbon steel				
	Pin	DT Series: Hardened tensile steel AT Series: Hardened tensile steel	Hardened tensile steel	DT Series: Hardened tensile steel AT Series: Hardened tensile steel	DT Series: Hardened tensile steel AT Series: Hardened tensile steel	SUS400 stainless steel				
Usage Environment		Room temperature away from water and dust	Room temperature away from water and dust	Dust may be present (Cannot be used when chain will be buried in dust.)	Room temperature away from water and dust	Room temperature in contact with water				
Roller Lubrication		Requires regular lube	Packaged and shipped lubed — no further lube necessary	Requires regular lube	Packaged and shipped lubed — no further lube necessary	Packaged and shipped lubed — no further lube necessary (cannot be used in dusty environments)				
Ambient Temperature		-20...C to 80...C (can mfg. to withstand up to 150...C)	-20...C to 50...C	-10...C to 80...C	-20...C to 50...C	0...C to 50...C				
Roller Allowable Load	S Roller, R Roller	Chain Size	RF03	1.96kN { 200kgf}	—	—	—	—	1.96kN { 200kgf}	1.37kN { 140kgf}
			RF05	3.04kN { 310kgf}	—	—	—	—	3.04kN { 310kgf}	2.13kN { 220kgf}
			RF08	4.12kN { 420kgf}	—	—	—	—	4.12kN { 420kgf}	2.88kN { 290kgf}
			RF10	5.49kN { 560kgf}	2.00kN { 200kgf}	5.49kN { 560kgf}	5.49kN { 560kgf}	5.49kN { 560kgf}	3.84kN { 390kgf}	
			RF12	8.34kN { 850kgf}	3.00kN { 310kgf}	8.34kN { 850kgf}	8.34kN { 850kgf}	8.34kN { 850kgf}	5.84kN { 600kgf}	
			RF17	14.1kN {1440kgf}	—	—	14.1kN {1440kgf}	14.1kN {1440kgf}	9.87kN {1010kgf}	
			RF26	19.6kN {2000kgf}	—	—	19.6kN {2000kgf}	19.6kN {2000kgf}	13.7kN {1400kgf}	
			RF36	27.5kN {2800kgf}	—	—	27.5kN {2800kgf}	27.5kN {2800kgf}	19.3kN {1970kgf}	
	F Roller	Chain Size	RF03	1.27kN { 130kgf}	—	—	—	—	1.27kN { 130kgf}	0.89kN { 90kgf}
			RF05	1.96kN { 200kgf}	—	—	—	—	1.96kN { 200kgf}	1.37kN { 140kgf}
			RF08	2.65kN { 270kgf}	—	—	—	—	2.65kN { 270kgf}	1.86kN { 190kgf}
			RF10	3.43kN { 350kgf}	—	—	3.43kN { 350kgf}	3.43kN { 350kgf}	2.40kN { 240kgf}	
			RF12	5.49kN { 560kgf}	—	—	5.49kN { 560kgf}	5.49kN { 560kgf}	3.84kN { 390kgf}	
			RF17	9.81kN {1000kgf}	—	—	9.81kN {1000kgf}	9.81kN {1000kgf}	6.87kN { 700kgf}	
			RF26	13.7kN {1400kgf}	—	—	13.7kN {1400kgf}	13.7kN {1400kgf}	9.59kN { 980kgf}	
			RF36	18.6kN {1900kgf}	—	—	18.6kN {1900kgf}	18.6kN {1900kgf}	13.0kN {1330kgf}	
			Coefficient of Roller Rotation Friction		0.03	0.03	※ 0.05	0.03	0.03	
			Chain Allowable Speed	Sprocket No. of Teeth	6	15m/min	10m/min	15m/min	—	
8	25m/min	15m/min			25m/min	15m/min	15m/min			
10	30m/min	20m/min			30m/min	20m/min	20m/min			
12	30m/min	25m/min			30m/min	25m/min	25m/min			

※ As Anti-dust Specs are designed for use in dusty environments, their coefficient of friction is slightly higher. Consult a Tsubaki representative when selecting.

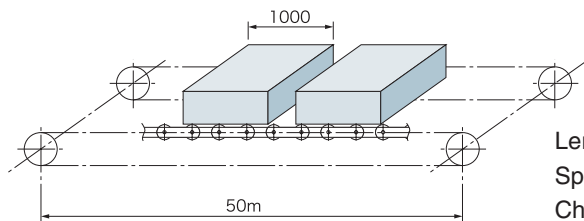
Go two sizes down –

RF Conveyor Chain (RF26250) actual size

2 Size
Down

Bearing Roller Conveyor Chain, Standard Series, BF Type RF12250 (actual size)

Specifications (Selection Example)



Length : 50m Conveyed Items : 40 items at 2000kgf/each
 Speed : 10m/min No. of Strands : 2
 Chain Pitch : 250 F Roller Type : A2 attachment

A Bearing Roller Conveyor Chain for every environment

Usage Environment	Standard Conveyor Chain	Bearing Roller Conveyor Chain
Normal	DT, GT	Standard Series/Lube-Free Series, Standard Specs
High wear (heavy load)	AT	Standard Series/Lube-Free Series, Standard Specs
High wear (foreign objects)	BT, CT	Standard Series, Anti-dust Specs
Slightly corrosive	PT, NEP	Lube-Free Series, Water Resistant Specs

Selection

1. Follow RF Conveyor Chain selection guidelines when selecting size.

2. Specifications necessary when selecting:

●Roller rotation coefficient of friction: See pg. 6

●Ambient temperature: See pg. 6

●Sprocket: All series/specifications can use sprockets for RF Conveyor Chains. See pg. 6 for sprocket no. of teeth.

●Rail: The roller contact width of Lube-Free Series Water Resistant Specs and Heat-resistant Specs are different from RF Conveyor Chain. See pg. 17 for rail fitting.

●Roller allowable load: Roller allowable load is the allowable load for one roller on a load-type conveyor. Roller allowable load assumes a guide rail tensile strength of 400N/mm²{41kgf/mm²}. When using A attachments, compare attachment allowable loads and use the lower of the values.

Go compact!



RF Conveyor Chain

Bearing Roller Conveyor Chain Standard Series, BF Type

Confirm roller allowable load

Chain Size:RF26250F
Roller Allowable Load:5.3kN{540kgf}

Chain Size:RF12250BF
Roller Allowable Load:5.49kN{560kgf}

Confirm Chain Tensile Strength

0.08
(when lubed)

0.03

~1/3
coefficient of friction

As this is a rough selection, it ignores impact force during start-up and tensile strength from its own weight.

~1/3

2000kgf/each x 40 items x 0.08 x 9.8/1000 x 1/2 strands
=31.4kN{3200kgf}

2000kgf/each x 40 items x 0.03 x 9.8/1000 x 1/2 strands
=11.8kN{1200kgf}

~1/3
chain tensile strength

Allowable tensile strength with a safety factor of 7.

~1/3

RF26250F-1LA2

RF12250BF-1LA2

2 sizes down
chain size

2 sizes down

Selecting Motor Capacity (kW)

Basic formula: kW=31.4kN x 2 strands x 10m/min/54.1 x 1/0.85
=13.5kW

Basic formula: kW=11.8kN x 2 strands x 10m/min/54.1 x 1/0.85
=5.1kW

~1/2.5
motor capacity

~1/2.5

Cost Comparison

RF26250F-1LA2
1

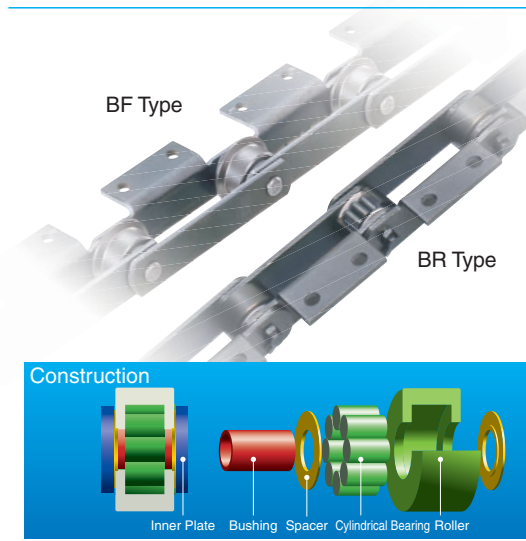
RF12250BF-1LA2
0.7

30% less
cost

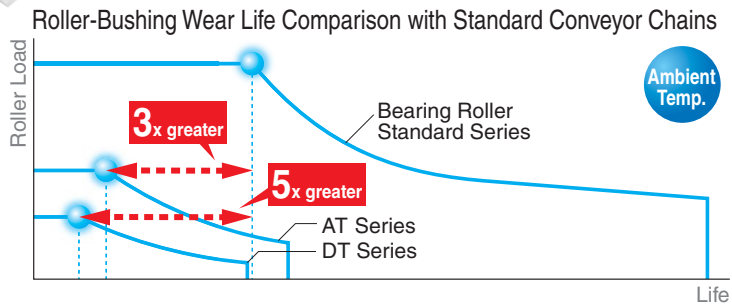
30% less

Bearing Roller Conveyor Chain **Standard Series**

Standard Specs **BR/BF Type**

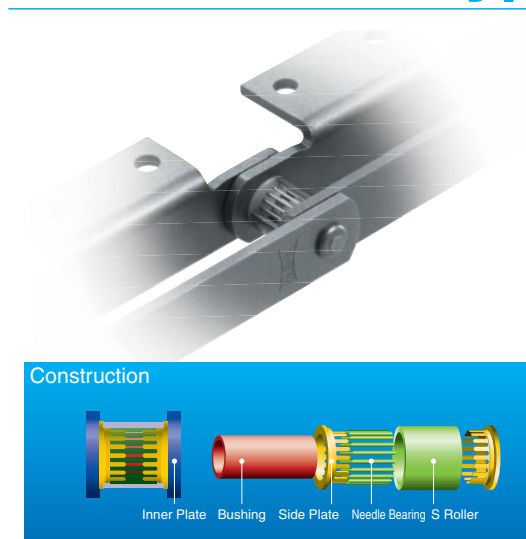


- Features cylindrical bearings between rollers and bushings.
- Same dimensions as standard R and F rollers on RF Conveyor Chains.

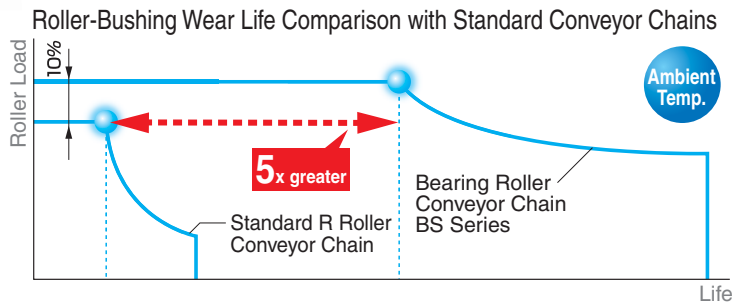


5x the wear life of DT Series and 3x the wear life of AT Series, without additional lubrication.

Standard Series **BS Type**

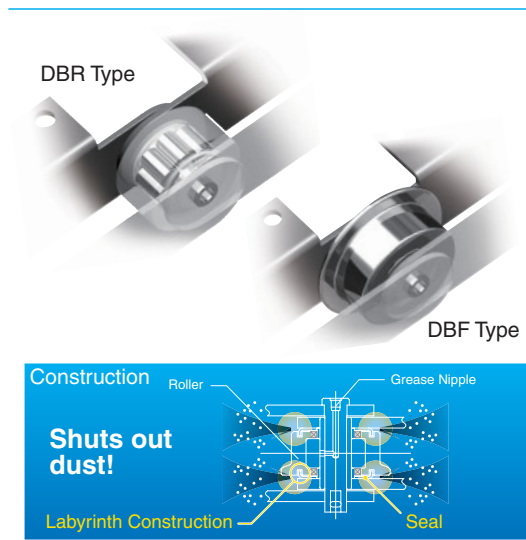


- Features a unique construction of needle bearings between the inner roller and outer bushing, kept in place by plastic side plates.
- Same dimensions as standard S roller on RF Conveyor Chains

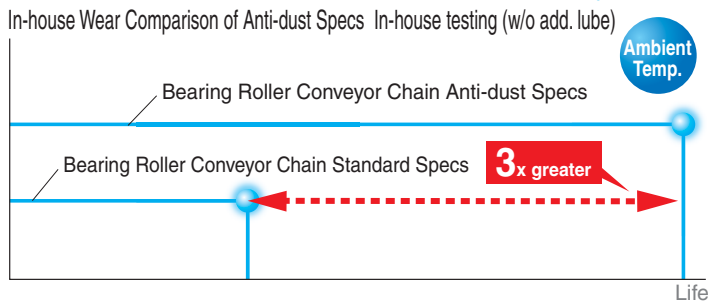


5x the wear life of DT Series without additional lubrication.
 *Standard Conveyor Chain w/ S roller or R roller.

Anti-dust Specs **DBR/DBF Type**



- Exhibits the same performance and efficiency of the Bearing Roller Conveyor Chain, even in dusty environments.
- Same dimensions as standard R or F rollers on RF Conveyor Chains.



3x the wear life of Bearing Roller Conveyor Chain Standard Specs.



Standard Series General Specifications

TSUBAKI Chain Number			Max. Allowable Tension						Roller Allowable Load					
			BR, BF Type				BS Type		R Roller		F Roller		S Roller	
			DT Series		AT Series									
BR Type	BF Type	BS Type	kN	{kgf}	kN	{kgf}	kN	{kgf}	kN	{kgf/each}	kN	{kgf/each}	kN	{kgf/each}
RF03075BR	RF03075BF	—	4.12	{ 420 }	7.85	{ 800 }	—	—	1.96	{ 200 }	1.27	{ 130 }	—	—
RF03100BR	RF03100BF	—												
RF05100BR	RF05100BF	—	9.81	{ 1000 }	14.7	{ 1500 }	—	—	3.04	{ 310 }	1.96	{ 200 }	—	—
RF05125BR	RF05125BF	—												
RF05150BR	RF05150BF	—												
RF08125BR	RF08125BF	—	10.8	{ 1100 }	14.7	{ 1500 }	—	—	4.12	{ 420 }	2.65	{ 270 }	—	—
RF08150BR	RF08150BF	—												
RF10100BR	—	RF10100BS	15.7	{ 1620 }	23.5	{ 2400 }	10.8	{ 1100 }	5.49	{ 560 }	3.43	{ 350 }	2.00	{ 200 }
RF10125BR	RF10125BF	RF10125BS												
RF10150BR	RF10150BF	RF10150BS												
RF12200BR	RF12200BF	RF12200BS	26.5	{ 2700 }	36.3	{ 3700 }	17.8	{ 1800 }	8.34	{ 850 }	5.49	{ 560 }	3.00	{ 310 }
RF12250BR	RF12250BF	RF12500BS												
RF17200BR	RF17200BF	—	34.3	{ 3500 }	54.9	{ 5600 }	—	—	14.1	{ 1440 }	9.81	{ 1000 }	—	—
RF17250BR	RF17250BF	—												
RF17300BR	RF17300BF	—												
RF26250BR	RF26250BF	—	44.1	{ 4500 }	72.6	{ 7400 }	—	—	19.6	{ 2000 }	13.7	{ 1400 }	—	—
RF26300BR	RF26300BF	—												
RF26450BR	RF26450BF	—												
RF36300BR	RF36300BF	—	67.7	{ 6900 }	97.1	{ 9900 }	—	—	27.5	{ 2800 }	18.6	{ 1900 }	—	—
RF36450BR	RF36450BF	—												
RF36600BR	RF36600BF	—												

- Note 1. DT specifications are standard for BS Type. As the max. allowable tension and roller allowable load for AT Series are determined by roller strength, they are the same as DT Series.
 2. Consult a Tsubaki representative for inch pitch sizes.

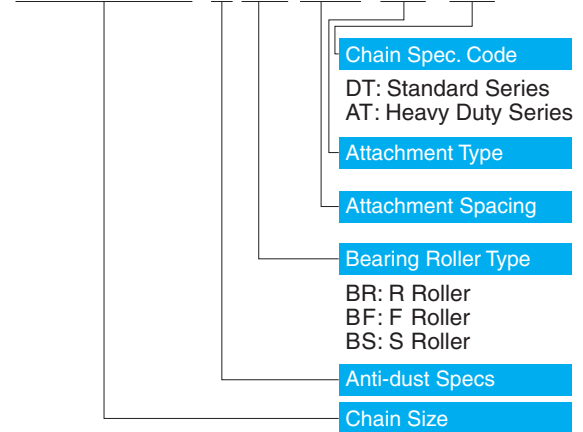
Standard Series Anti-dust Specifications

TSUBAKI Chain Number		Max. Allowable Tension				Roller Allowable Load			
		DBR, DBF Type				R Roller		F Roller	
		DT Series		AT Series					
DBR Type	DBF Type	kN	{kgf}	kN	{kgf}	kN	{kgf}	kN	{kgf}
RF10100DBR	—	15.7	{ 1620 }	23.5	{ 2400 }	5.49	{ 560 }	3.43	{ 350 }
RF10125DBR	RF10125DBF								
RF10150DBR	RF10150DBF								
RF12200DBR	RF12200DBF	26.5	{ 2700 }	36.3	{ 3700 }	8.34	{ 850 }	5.49	{ 560 }
RF12250DBR	RF12250DBF								
RF17200DBR	RF17200DBF	34.3	{ 3500 }	54.9	{ 5600 }	14.1	{ 1440 }	9.81	{ 1000 }
RF17250DBR	RF17250DBF								
RF17300DBR	RF17300DBF								
RF26250DBR	RF26250DBF	44.1	{ 4500 }	72.6	{ 7400 }	19.6	{ 2000 }	13.7	{ 1400 }
RF26300DBR	RF26300DBF								
RF26450DBR	RF26450DBF								
RF36300DBR	RF36300DBF	67.7	{ 6900 }	97.1	{ 9900 }	27.5	{ 2800 }	18.6	{ 1900 }
RF36450DBR	RF36450DBF								
RF36600DBR	RF36600DBF								

- Note 1. *DT Series: General Use Conveyor Chain
 AT Series: Wear Resistant/Heavy Duty Conveyor Chain.
 2. Periodically lubricate the base chain using the grease nipple on the pin head.
 (The lubrication cycle will vary depending on the type and amount of dust. A field test using a few links is essential.)
 3. Chain cannot be used for conveyance in environments where it will be fully covered in dust. An example of such can be found on pg.4.
 4. Base chain is compatible with General Use Conveyor Chains and can use current sprockets.
 5. Do not use in corrosive environments. (Exposed to or submersed in water, etc.)
 6. Refer to our Tsubaki Large Size Conveyor Chain catalog for information on Selection and handling.
 7. Can use any attachment.

Chain Numbering Example

RF03075 DBR -1L A1-DT



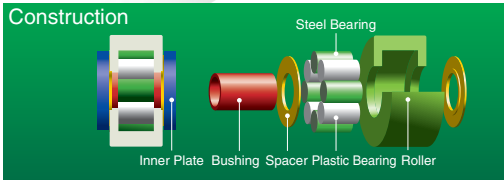
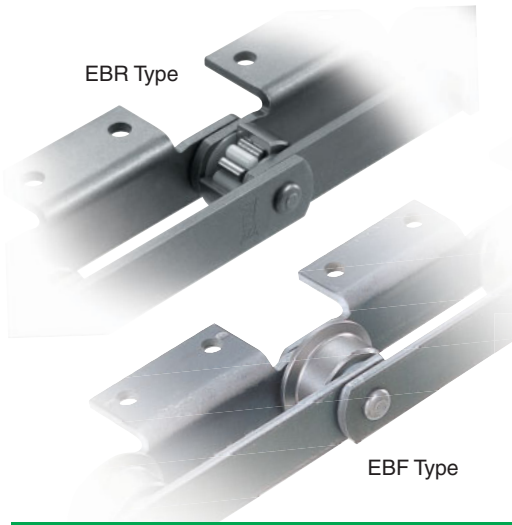
Ordering Example

Chain Size: RF10, Pitch: 150mm
 Bearing Roller Type: Standard Series, Standard Specs, F Roller
 Chain Spec: DT Series
 Attachment Type/Spacing: A2 every 1L
 Quantity: 400 links

Chain Number
RF10150BF - DT - 1LA2
 Quantity **400** Unit **L**

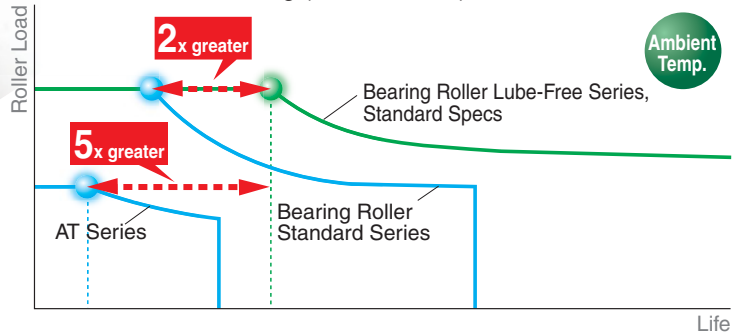
Bearing Roller Conveyor Chain **Lube-Free Series**

Standard Specs **EBR/EBF Type**



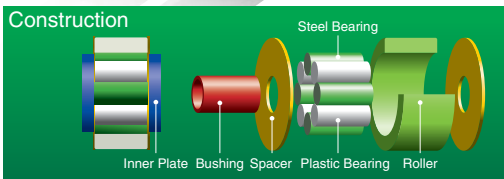
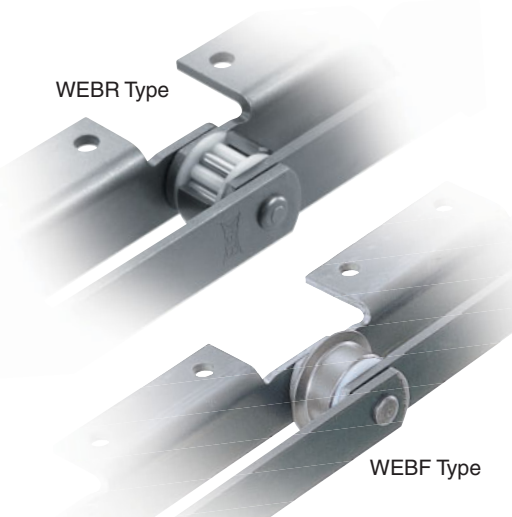
- Tsubaki's Lube-Free Series uses special cylindrical bearings with automatic lubricating functions between the bushing and roller. Can be used without lubricating the rollers.

Roller-Bushing Wear Life Comparison with Standard Conveyor Chains In-house testing (w/o add. lube)



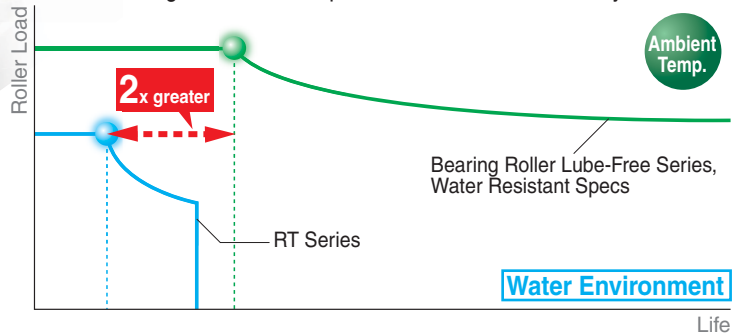
Has 5x the wear life of Standard Conveyor Chain DT Series and 2x the wear life of Bearing Roller Conveyor Chain Standard Specs without additional lubrication.

Water Resistant **WEBR/WEBF Type**



- Tsubaki's Lube-Free Series uses special cylindrical bearings with automatic lubricating functions between the bushing and roller. Can be used without lubricating the rollers.

Roller-Bushing Wear Life Comparison with Standard Conveyor Chains



2x the wear life of Standard Conveyor Chain RT Series without additional lubrication.



Lube-Free/Standard Specifications

TSUBAKI Chain Number		Max. Allowable Tension				Roller Allowable Load			
		DT Series		AT Series		R Roller		F Roller	
EBR Type	EBF Type	kN	{kgf}	kN	{kgf}	kN	{kgf/each}	kN	{kgf/each}
RF03075EBR	RF03075EBF	2.88	{ 290 }	5.50	{ 560 }	1.96	{ 200 }	1.27	{ 130 }
RF03100EBR	RF03100EBF								
RF05100EBR	RF05100EBF	6.87	{ 700 }	10.3	{ 1050 }	3.04	{ 310 }	1.96	{ 200 }
RF05125EBR	RF05125EBF								
RF05150EBR	RF05150EBF								
RF08125EBR	RF08125EBF	7.56	{ 770 }	10.3	{ 1050 }	4.12	{ 420 }	2.65	{ 270 }
RF08150EBR	RF08150EBF								
RF10100EBR	—	11.0	{ 1120 }	16.5	{ 1680 }	5.49	{ 560 }	3.43	{ 350 }
RF10125EBR	RF10125EBF								
RF10150EBR	RF10150EBF								
RF12200EBR	RF12200EBF	18.6	{ 1900 }	25.4	{ 2590 }	8.34	{ 850 }	5.49	{ 560 }
RF12250EBR	RF12250EBF								
RF17200EBR	RF17200EBF	24..0	{ 2450 }	38.4	{ 3920 }	14.1	{ 1440 }	9.81	{ 1000 }
RF17250EBR	RF17250EBF								
RF17300EBR	RF17300EBF								
RF26250EBR	RF26250EBF	30.9	{ 3150 }	50.8	{ 5180 }	19.6	{ 2000 }	13.7	{ 1400 }
RF26300EBR	RF26300EBF								
RF36300EBR	RF36300EBF	47.4	{ 4830 }	68.0	{ 6930 }	27.5	{ 2800 }	18.6	{ 1900 }

Standard BR Series, BF Type (ref.)

Max. Allowable Tension		Roller Allowable Load					
				DT Series	AT Series	R Roller	F Roller
kN	{kgf}	kN	{kgf}	kN	{kgf/each}	kN	{kgf/each}
4.12	{ 420 }	7.85	{ 800 }	1.96	{ 200 }	1.27	{ 130 }
9.81	{ 1000 }	14.7	{ 1500 }	3.04	{ 310 }	1.96	{ 200 }
10.8	{ 1100 }	14.7	{ 1500 }	4.12	{ 420 }	2.65	{ 270 }
15.7	{ 1600 }	23.5	{ 2400 }	5.49	{ 560 }	3.43	{ 350 }
26.5	{ 2700 }	36.3	{ 3700 }	8.34	{ 850 }	5.49	{ 560 }
34.3	{ 3500 }	54.9	{ 5600 }	14.1	{ 1440 }	9.81	{ 1000 }
44.1	{ 4500 }	72.6	{ 7400 }	19.6	{ 2000 }	13.7	{ 1400 }
67.7	{ 6900 }	97.1	{ 9900 }	27.5	{ 2800 }	18.6	{ 1900 }

Lube-Free Series, Water Resistant Specifications

TSUBAKI Chain Number		Max. Allowable Tension		Roller Allowable Load			
				R Roller	F Roller		
WEBR Type	WEBF Type	kN	{kgf}	kN	{kgf/each}	kN	{kgf/each}
RF03075WEBR	RF03075WEBF	2.88	{ 290 }	1.37	{ 140 }	0.89	{ 90 }
RF03100WEBR	RF03100WEBF						
RF05100WEBR	RF05100WEBF	6.87	{ 700 }	2.13	{ 220 }	1.37	{ 140 }
RF05125WEBR	RF05125WEBF						
RF05150WEBR	RF05150WEBF						
RF08125WEBR	RF08125WEBF	7.56	{ 770 }	2.88	{ 290 }	1.86	{ 190 }
RF08150WEBR	RF08150WEBF						
RF10100WEBR	—	11.0	{ 1120 }	3.84	{ 390 }	2.40	{ 240 }
RF10125WEBR	RF10125WEBF						
RF10150WEBR	RF10150WEBF						
RF12200WEBR	RF12200WEBF	18.6	{ 1900 }	5.84	{ 600 }	3.84	{ 390 }
RF12250WEBR	RF12250WEBF						
RF17200WEBR	RF17200WEBF	24..0	{ 2450 }	9.87	{ 1010 }	6.87	{ 700 }
RF17250WEBR	RF17250WEBF						
RF17300WEBR	RF17300WEBF						
RF26250WEBR	RF26250WEBF	30.9	{ 3150 }	13.7	{ 1400 }	9.59	{ 980 }
RF26300WEBR	RF26300WEBF						
RF36300WEBR	RF36300WEBF	47.4	{ 4830 }	19.3	{ 1970 }	13.0	{ 1330 }

Chain Numbering Example

RF03075 EB R -1L A2-DT

Chain Size

Bearing Roller Spec:

EB: Lube-Free Series, Standard Specs
 WEB: Lube-Free Series, Water Resistant Specs

Chain Spec. Code

DT: Standard Series
 AT : Heavy Duty Series
 (Water Resistant: No code)

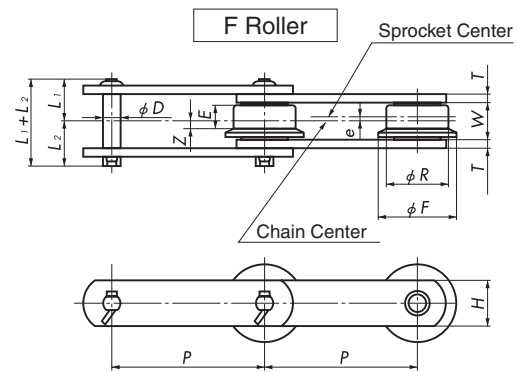
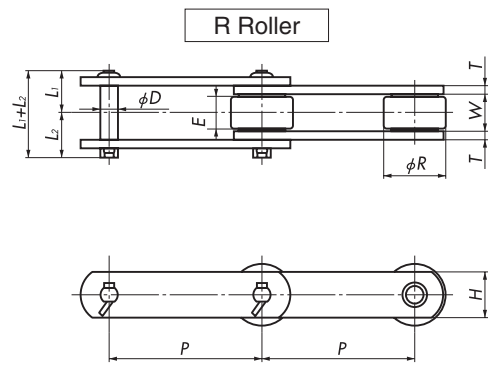
Attachment Type

Attachment Spacing

Roller Type:

R: R Roller
 F: F Roller

Standard Series Specifications

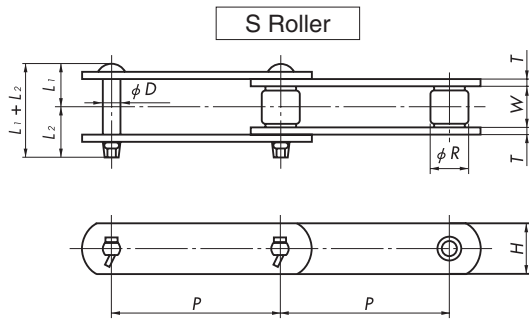


TSUBAKI Chain Number					Pitch P	Roller						
Standard Series			Lube-free Series			R Roller		F Roller				
Standard Specifications	Anti-dust Specifications	Standard Specifications	Standard Specifications	Standard Specifications		Diameter R	Contact Width E	Diameter R	Flange Diameter F	Contact Width E	Off-center e	Z
RF03075BR	RF03075BF	—	—	RF03075EBR	RF03075EBF	75	—	—	—	—	—	—
RF03100BR	RF03100BF	—	—	RF03100EBR	RF03100EBF	100	31.8	14	31.8	42	11	4.3
RF05100BR	RF05100BF	—	—	RF05100EBR	RF05100EBF	100	—	—	—	—	—	—
RF05125BR	RF05125BF	—	—	RF05125EBR	RF05125EBF	125	40	19	40	50	14	4.5
RF05150BR	RF05150BF	—	—	RF05150EBR	RF05150EBF	150	—	—	—	—	—	—
RF08125BR	RF08125BF	—	—	RF08125EBR	RF08125EBF	125	44.5	23	44.5	55	18	6.5
RF08150BR	RF08150BF	—	—	RF08150EBR	RF08150EBF	150	—	—	—	—	—	—
RF10100BR	—	RF10100DBR	—	RF10100EBR	—	100	—	—	—	—	—	—
RF10125BR	RF10125BF	RF10125DBR	RF10125DBF	RF10125EBR	RF10125EBF	125	50.8	26	50.8	65	20	7
RF10150BR	RF10150BF	RF10150DBR	RF10150DBF	RF10150EBR	RF10150EBF	150	—	—	—	—	—	—
RF12200BR	RF12200BF	RF12200DBR	RF12200DBF	RF12200EBR	RF12200EBF	200	65	32	65	80	24	8
RF12250BR	RF12250BF	RF12250DBR	RF12250DBF	RF12250EBR	RF12250EBF	250	—	—	—	—	—	—
RF17200BR	RF17200BF	RF17200DBR	RF17200DBF	RF17200EBR	RF17200EBF	200	—	—	—	—	—	—
RF17250BR	RF17250BF	RF17250DBR	RF17250DBF	RF17250EBR	RF17250EBF	250	80	44	80	100	34	12
RF17300BR	RF17300BF	RF17300DBR	RF17300DBF	RF17300EBR	RF17300EBF	300	—	—	—	—	—	—
RF26250BR	RF26250BF	RF26250DBR	RF26250DBF	RF26250EBR	RF26250EBF	250	—	—	—	—	—	—
RF26300BR	RF26300BF	RF26300DBR	RF26300DBF	RF26300EBR	RF26300EBF	300	100	50	100	125	38	13
RF26450BR	RF26450BF	RF26450DBR	RF26450DBF	RF26450EBR	RF26450EBF	450	—	—	—	—	—	—
RF36300BR	RF36300BF	RF36300DBR	RF36300DBF	RF36300EBR	RF36300EBF	300	—	—	—	—	—	—
RF36450BR	RF36450BF	RF36450DBR	RF36450DBF	RF36450EBR	RF36450EBF	450	125	56	125	150	42	14
RF36600BR	RF36600BF	RF36600DBR	RF36600DBF	RF36600EBR	RF36600EBF	600	—	—	—	—	—	—

TSUBAKI Chain Number					Inner Link Inner Width W	Plate		Pin				Approximate Mass kg/m		
Standard Series			Lube-free Series			Height H	Thickness T	Diameter D	L1+L2	L1	L2	R Roller	F Roller	
Standard Specifications	Anti-dust Specifications	Standard Specifications	Standard Specifications	Standard Specifications										
RF03075BR	RF03075BF	—	—	RF03075EBR	RF03075EBF	16.1	22	3.2	8.0	38	18	20	2.8	2.9
RF03100BR	RF03100BF	—	—	RF03100EBR	RF03100EBF	—	—	—	—	—	—	—	2.4	2.5
RF05100BR	RF05100BF	—	—	RF05100EBR	RF05100EBF	—	—	—	—	—	—	—	5.2	5.4
RF05125BR	RF05125BF	—	—	RF05125EBR	RF05125EBF	22	32	4.5	11.3	53.5	25	28.5	4.5	4.6
RF05150BR	RF05150BF	—	—	RF05150EBR	RF05150EBF	—	—	—	—	—	—	—	4.2	4.4
RF08125BR	RF08125BF	—	—	RF08125EBR	RF08125EBF	27	28.6	6.3	11.3	65.5	31	34.5	5.9	6.2
RF08150BR	RF08150BF	—	—	RF08150EBR	RF08150EBF	—	—	—	—	—	—	—	5.6	5.8
RF10100BR	—	RF10100DBR	—	RF10100EBR	—	—	—	—	—	—	—	—	10.0	—
RF10125BR	RF10125BF	RF10125DBR	RF10125DBF	RF10125EBR	RF10125EBF	30	38.1	6.3	14.5	69	33	36	8.7	9.0
RF10150BR	RF10150BF	RF10150DBR	RF10150DBF	RF10150EBR	RF10150EBF	—	—	—	—	—	—	—	8.0	8.3
RF12200BR	RF12200BF	RF12200DBR	RF12200DBF	RF12200EBR	RF12200EBF	37.1	44.5	7.9	15.9	83.5	40.5	43	11.6	12.1
RF12250BR	RF12250BF	RF12250DBR	RF12250DBF	RF12250EBR	RF12250EBF	—	—	—	—	—	—	—	10.4	10.8
RF17200BR	RF17200BF	RF17200DBR	RF17200DBF	RF17200EBR	RF17200EBF	—	—	—	—	—	—	—	20.0	21.0
RF17250BR	RF17250BF	RF17250DBR	RF17250DBF	RF17250EBR	RF17250EBF	51.4	50.8	9.5	19.1	109.5	51.5	58	17.0	18.0
RF17300BR	RF17300BF	RF17300DBR	RF17300DBF	RF17300EBR	RF17300EBF	—	—	—	—	—	—	—	16.0	16.0
RF26250BR	RF26250BF	RF26250DBR	RF26250DBF	RF26250EBR	RF26250EBF	—	—	—	—	—	—	—	26.0	27.0
RF26300BR	RF26300BF	RF26300DBR	RF26300DBF	RF26300EBR	RF26300EBF	57.2	63.5	9.5	22.2	116.5	55.5	61	23.0	24.0
RF26450BR	RF26450BF	RF26450DBR	RF26450DBF	RF26450EBR	RF26450EBF	—	—	—	—	—	—	—	19.0	19.0
RF36300BR	RF36300BF	RF36300DBR	RF36300DBF	RF36300EBR	RF36300EBF	—	—	—	—	—	—	—	40.0	42.0
RF36450BR	RF36450BF	RF36450DBR	RF36450DBF	RF36450EBR	RF36450EBF	66.7	76.2	12.7	25.4	146	68	78	32.0	33.0
RF36600BR	RF36600BF	RF36600DBR	RF36600DBF	RF36600EBR	RF36600EBF	—	—	—	—	—	—	—	28.0	29.0



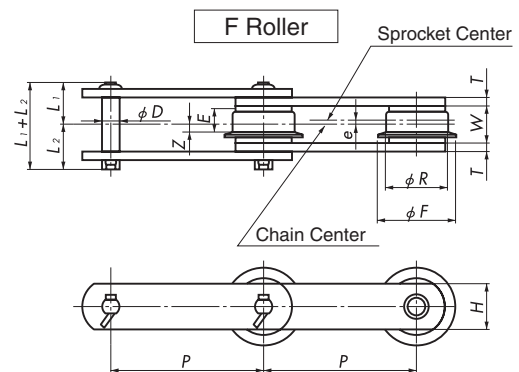
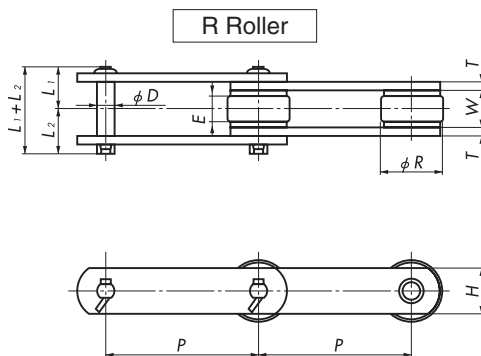
Standard Series, BS Type



TSUBAKI Chain Number	Pitch P	Roller Diameter R	Inner Link Inner Width W	Plate		Pin				Approximate Mass kg/m
				Height H	Thickness T	Diameter D	L ₁ +L ₂	L ₁	L ₂	
RF10100BS	100	29	30	38.1	6.3	14.5	69	33	36	6.8
RF10125BS	125									6.2
RF10150BS	150									5.8
RF12200BS	200	34.9	37.1	44.5	7.9	15.9	83.5	40.5	43	8.2
RF12250BS	250									7.7

Note: See pgs. 15 and 16 for combining standard attachments with different roller types.

Lube-Free Series, Water Resistant Specifications (WEBR, WEBF)



TSUBAKI Chain Number	Pitch P	Roller								Inner Link Inner Width W	Plate		Pin				Approximate Mass kg/m	
		R Roller		F Roller							Height H	Thickness T	Diameter D	L ₁ +L ₂	L ₁	L ₂	R Roller	F Roller
		Diameter R	Contact Width E*	Diameter R	Flange Diameter F	Contact Width E	Off-center e	Z										
RF03075WEBR	RF03075WEBF	75	31.8	12.3	31.8	42	9.1	1.6	3	16.1	22	3.2	8.0	38	18	20	2.8	2.9
RF03100WEBR	RF03100WEBF	100															2.4	2.5
RF05100WEBR	RF05100WEBF	100															5.2	5.4
RF05125WEBR	RF05125WEBF	125	40	17	40	50	13	2	4.5	22	32	4.5	11.3	53.5	25	28.5	4.5	4.6
RF05150WEBR	RF05150WEBF	150															4.2	4.4
RF08125WEBR	RF08125WEBF	125															5.9	6.2
RF08150WEBR	RF08150WEBF	150	44.5	21	44.5	55	17	2	6.5	27	28.6	6.3	11.3	65.5	31	34.5	5.6	5.8
RF10100WEBR	—	100			—	—	—	—	—								10.0	—
RF10125WEBR	RF10125WEBF	125	50.8	23	50.8	65	18.5	2.3	7	30	38.1	6.3	14.5	69	33	36	8.7	9.0
RF10150WEBR	RF10150WEBF	150															8.0	8.3
RF12200WEBR	RF12200WEBF	200															11.6	12.1
RF12250WEBR	RF12250WEBF	250	65	28	65	80	22	3	8	37.1	44.5	7.9	15.9	83.5	40.5	43	10.4	10.8
RF17200WEBR	RF17200WEBF	200															20	21
RF17250WEBR	RF17250WEBF	250	80	40	80	100	32	4	12	51.4	50.8	9.5	19.1		51.5	58	17	18
RF17300WEBR	RF17300WEBF	300															16	16
RF26250WEBR	RF26250WEBF	250															26	27
RF26300WEBR	RF26300WEBF	300	100	46	100	125	36	5	13	57.2	63.5	9.5	22.2	116.5	55.5	61	23	24
RF36300WEBR	RF36300WEBF	300	125	55	125	150	43	6	15.5	66.7	76.2	12.7	25.4	146	68	78	40	42

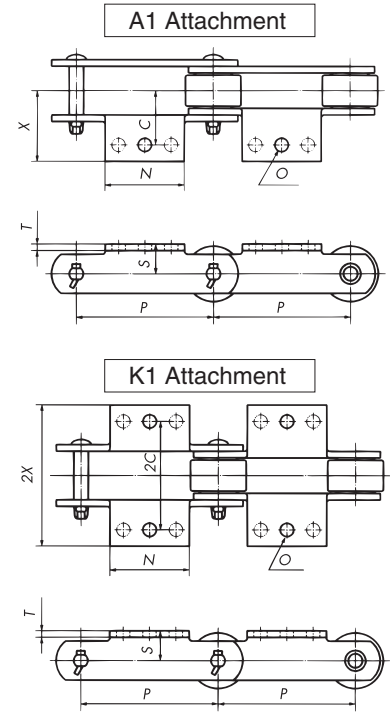
Note: See pgs. 15 and 16 for combining standard attachments with different roller types. Also, See pgs. 17 for connection.

Attachment Chart

A1/K1 Attachments

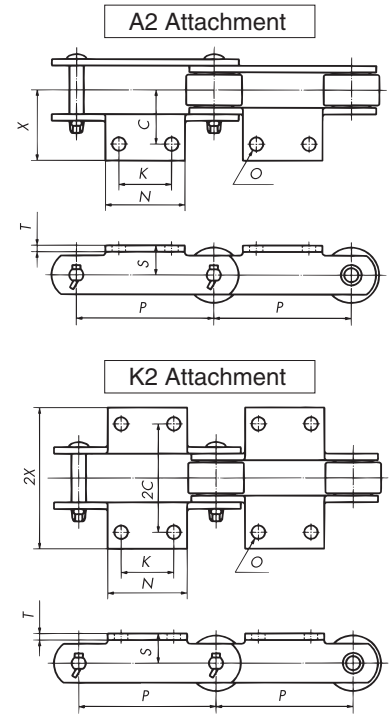
TSUBAKI Chain Number	Bearing Roller Type			Pitch P	S	C	2C	X	2X	N	T	O	Bolt Used	Additional Mass/Each kg
	R Roller	F Roller	S Roller											
RF03075	○	○	-	75	20	30	60	46	92	55	3.2	10	M8	0.06
RF03100	○	○	-	100						65				0.07
RF05100	○	○	-	100						65				0.07
RF05125	○	○	-	125	22	35	70	47	94	75	4.5	10	M8	0.08
RF05150	○	○	-	150						85				0.10
RF08125	○	○	-	125	28	50	100	64	128	80	6.3	12	M10	0.19
RF08150	○	○	-	150						90				0.23
RF10100	○	-	○	100						70				0.16
RF10125	○	○	○	125	28	50	100	67	134	80	6.3	12	M10	0.18
RF10150	○	○	○	150						90				0.20
RF12200	○	○	○	200	38	60	120	79	158	120	7.9	15	M12	0.44
RF12250	○	○	○	250						170				0.61
RF17200	○	○	-	200						120				0.64
RF17250	○	○	-	250	45	75	150	100	200	170	9.5	15	M12	0.88
RF17300	○	○	-	300						220				1.26
RF26250	○	○	-	250	55	80	160	108	216	170	9.5	15	M12	1.01
RF26300	○	○	-	300						220				1.34

Note Three-hole attachments may be sent for some attachment orders. If you receive a three-hole attachment, use the center hole.



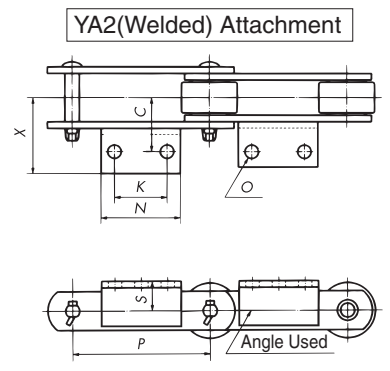
A2/K2 Attachments

TSUBAKI Chain Number	Bearing Roller Type			Pitch P	S	C	2C	X	2X	N	K	T	O	Bolt Used	Additional Mass/Each kg
	R Roller	F Roller	S Roller												
RF03075	○	○	-	75	20	30	60	46	92	55	30	3.2	10	M8	0.06
RF03100	○	○	-	100						65	40				0.07
RF05100	○	○	-	100						65	40				0.07
RF05125	○	○	-	125	22	35	70	47	94	75	50	4.5	10	M8	0.08
RF05150	○	○	-	150						85	60				0.10
RF08125	○	○	-	125	28	50	100	64	128	80	50	6.3	12	M10	0.19
RF08150	○	○	-	150						90	60				0.23
RF10100	○	-	○	100						70	40				0.16
RF10125	○	○	○	125	28	50	100	67	134	80	50	6.3	12	M10	0.18
RF10150	○	○	○	150						90	60				0.20
RF12200	○	○	○	200	38	60	120	79	158	120	80	7.9	15	M12	0.44
RF12250	○	○	○	250						170	125				0.61
RF17200	○	○	-	200						120	80				0.64
RF17250	○	○	-	250	45	75	150	100	200	170	125	9.5	15	M12	0.88
RF17300	○	○	-	300						220	180				1.26
RF26250	○	○	-	250	55	80	160	108	216	170	125	9.5	15	M12	1.01
RF26300	○	○	-	300						220	180				1.34



YA2(Welded) Attachments

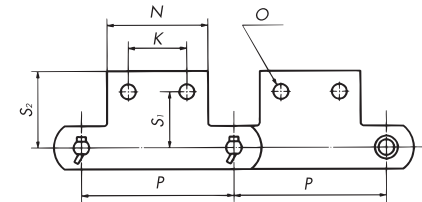
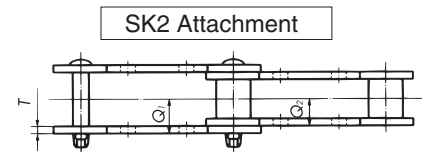
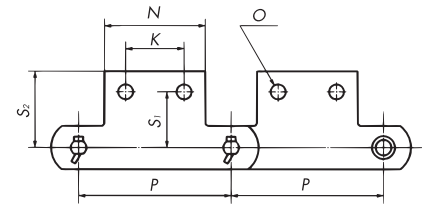
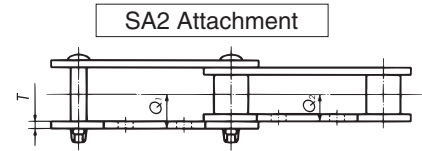
TSUBAKI Chain Number	Bearing Roller Type			Pitch P	S	C	2C	X	2X	N	K	O	Angle Used	Bolt Used	Additional Mass/Each kg
	R Roller	F Roller	S Roller												
RF26450	○	○	-	450	55	80	160	123.5	247	320	280	15	L75×75×9	M12	3.19
RF36300	○	○	-	300						160	100				2.40
RF36450	○	○	-	450	70	100	200	160	320	330	280	19	L100×100×10	M16	4.90
RF36600	○	○	-	600						410	360				6.10





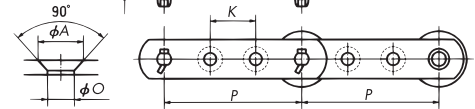
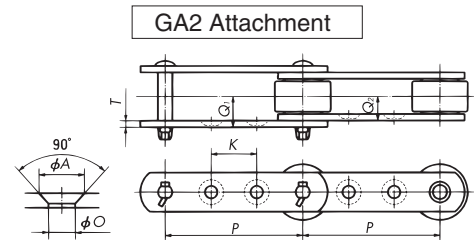
SA2/SK2 Attachments

TSUBAKI Chain Number	Bearing Roller Type			Pitch <i>P</i>	<i>S</i> ₁	<i>S</i> ₂	<i>Q</i> ₁	<i>Q</i> ₂	<i>N</i>	<i>K</i>	<i>T</i>	ϕ	Bolt Used	Additional Mass/Each kg
	R Roller	F Roller	S Roller											
RF03075	○	-	-	75	33	49	15.5	11.5	55	30	3.2	10	M8	0.06
RF03100	○	-	-	100					65	40			M8	0.07
RF05100	○	-	-	100					65	40			M8	0.07
RF05125	○	-	-	125	33.4	50.7	21	15.5	75	50	4.5	10	M8	0.08
RF05150	○	-	-	150					85	60			M8	0.10
RF08125	○	-	-	125	46.1	60.7	27	20	80	50	6.3	12	M10	0.19
RF08150	○	-	-	150					90	60			M10	0.23
RF10100	○	-	○	100					70	40			M10	0.16
RF10125	○	-	○	125	46.1	63	28.5	21.5	80	50	6.3	12	M10	0.18
RF10150	○	-	○	150					90	60			M10	0.20
RF12200	○	-	○	200	55	75.7	35.5	26.5	120	80	7.9	15	M12	0.44
RF12250	○	-	○	250					170	125			M12	0.61



GA2 Attachments

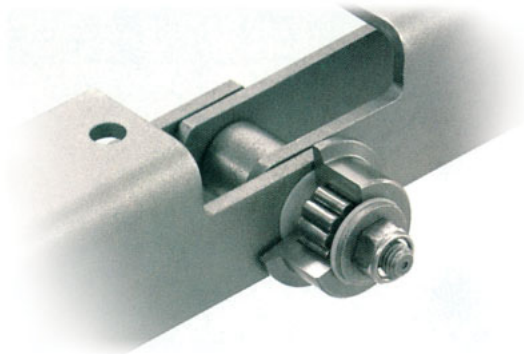
TSUBAKI Chain Number	Bearing Roller Type			Pitch <i>P</i>	<i>K</i>	<i>T</i>	<i>Q</i> ₁	<i>Q</i> ₂	<i>A</i>	ϕ	Max. Length of Attached Bolt		Bolt Used
	R Roller	F Roller	S Roller								Outer Link	Inner Link	
RF03075	○	-	-	75	30	3.2	15.5	11.5	13.5	8	26	19	M8
RF03100	○	-	-	100	50								M8
RF05100	○	-	-	100	40								M8
RF05125	○	○	-	125	50	4.5	21	15.5	15	10	36	26	M8
RF05150	○	○	-	150	60								M8
RF08150	○	○	-	150	60	6.3	27	20	20	12	45	31	M10
RF10100	-	-	○	100	30								M10
RF10125	○	-	○	125	40	6.3	28.5	21.5	20	12	49	35	M10
RF10150	○	○	○	150	60								M10
RF12200	○	○	○	200	80	7.9	35.5	26.5	26	15	63	45	M12
RF12250	○	○	○	250	125								M12
RF17200	○	○	-	200	70								M12
RF17250	○	○	-	250	110	9.5	45.5	35	26	15	81	61	M12
RF17300	○	○	-	300	150								M12
RF26300	○	○	-	300	140	9.5	48.5	38	26	15	88	67	M12
RF26450	○	○	-	450	220								M12
RF36450	○	○	-	450	220	12.7	60	46	32	19	105	75	M16
RF36600	○	○	-	600	300								M16



Note:

1. A attachment mass in the chart refers to additional mass per attachment. Multiply that number by two for K attachments.
2. GA2 attachment mass is the same as that of the base chain.
3. Three-hole attachments may be sent for A1 or K1 attachment orders. If you receive a three-hole attachment, use the center hole.
4. Consult a Tsubaki representative if using a guide on A/K attachment sides.
5. When using slats attached to two strands of chain, be sure that slats are attached to either outer link-outer link or inner link-inner link.
6. Inch sizes also available. (Consult a Tsubaki representative for further details.)

Single Side Outboard Bearing Roller Conveyor Chain



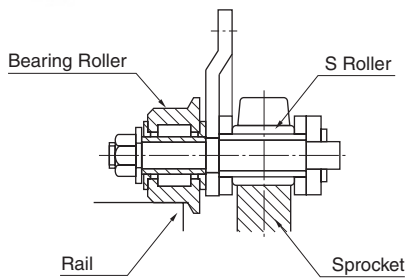
■ Assembly lines are often long. As workers work on top of the conveyor, stable conveyor running has a huge impact on work efficiency. Single Side Bearing Roller Conveyor Chain is designed with special features for such assembly lines.

Long Life

Single Side Bearing Roller Conveyor Chain supports conveyor load while running smoothly. The chain's S roller is specifically designed to engage the sprocket, reducing the load on the chain and extending chain life.

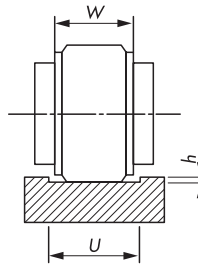
Changing Rollers is Easy

Outboard rollers can be changed while the chain is still on the conveyor. And because the outboard roller has a bushing, there is no damage to the chain pin.



⚠ Rail Fitting

When using a groove rail such as the one pictured on the right with Lube-Free Series Water Resistant Specifications, there is not much clearance between the roller and the spacer. Ensure the groove dimensions (U) are larger than the inner link inner width's (W). Tsubaki's recommended rail dimensions can be found to the right.



Chain Size	Rail Groove Depth <i>h</i>
RF03	1.6
RF05	1.6
RF08	1.6
RF10	2.1
RF12	2.1
RF17	2.1
RF26	2.1
RF36	2.6



For Safe Use



WARNING

Obey the following points in order to prevent hazardous situations.

- Do not use chains and accessories (accessories and parts) for anything other than their original purpose.
- Never perform additional processing on the chain.
 - Do not anneal the various parts of the chain.
 - Do not clean the chain with either acid or alkali, as they may cause cracking.
 - Do not electroplate the chain or its parts, as it may cause cracking due to hydrogen embrittlement.
 - Do not weld the chain, as the heat may cause cracking or a reduction in strength.
 - When heating or cutting the chain with a torch, remove the links immediately adjacent and do not use them again.
- When there is need to replace a lost or damaged portion of a chain, always replace the whole chain with a new product rather than replacing only the lost or damaged portion.
- When using a chain on suspension equipment, establish a safety perimeter and strictly prevent entry to the area directly below the suspended object.
- Always employ hazard protection devices for the chain and sprocket (safety cover, etc.).
- If a substance that can cause embrittlement cracking (acid, strong alkali, battery fluid, etc.) adheres to the chain, stop using the chain immediately and replace it with a new one.
- During installation, removal, maintenance inspection and lubrication of the chain:
 - Perform the operation according to the instruction manual or this catalog.
 - Always turn off the power switch to the device and make sure that it cannot be turned on accidentally.
 - Anchor the chain and parts so that they cannot move freely.
 - Perform cutting and connecting procedures properly using a press or other special tool.
 - Wear clothing and employ protective devices that are appropriate to the job (safety glasses, gloves, safety shoes, etc.).
 - Only allow experienced personnel to perform chain replacement procedures.
- A fail safe back up system is suggested whenever using Leaf Chain to safely support the load in the event of a chain failure.



CAUTION

Obey the following points in order to prevent accidents.

- Only handle the chain after thoroughly understanding its structure and specifications.
- When installing a chain, inspect it in advance to confirm that it has not been damaged in transport.
- Be sure to perform regular maintenance inspections on the chain and sprocket.
- Chain strength varies according to manufacturer. When selecting a chain based on a Tsubaki catalog, always use the corresponding Tsubaki product.
- Minimum tensile strength refers to the failure point when the corresponding load is applied to the chain once and does not refer to the allowable operational load.

Warranty

1. LIMITED WARRANTY

Products manufactured by Seller: (a) conform to the design and specifications, if any, expressly agreed to in writing by Seller; and (b) are free of defects in workmanship and materials at the time of shipment. The warranties set forth in the preceding sentence are exclusive of all other warranties, express or implied, and extend only to Buyer and to no other person. ALL WARRANTIES OF MERCHANTABILITY OR FITNESS FOR A PARTICULAR PURPOSE ARE HEREBY EXCLUDED.

2. NON-RELIANCE

Buyer is not relying upon any advice, representations or warranties (except the warranties expressly set forth above) of Seller, or upon Seller's skill or judgment regarding the Seller's products.

Buyer is solely responsible for the design and specifications of the products, including without limitation, the determination of suitability for Buyer's application of the products.

3. CLAIMS

- (a) Any claim relating to quantity or type shall be made to Seller in writing within 7 days after receipt of the products; any such claim made thereafter shall be barred.
- (b) Any claim under the above-stated Limited Warranty shall be made to Seller in writing within three (3) months after receipt of the products; any such claim made thereafter shall be barred.
- (c) Seller's liability for breach of warranty or otherwise is limited to repair or replacement, at Seller's option, of non-conforming or defective products. Buyer waives all other remedies, including, but not limited to, all rights to consequential, special or

incidental damages, including, but not limited to, damages resulting from personal injury, death or damage to or loss of use of property.

(d) Repair, alteration, neglect or misuse of the products shall void all applicable warranties.

4. INDEMNIFICATION

Buyer will indemnify, defend and hold Seller harmless from all loss, liability, damage and expense, including attorneys' fees, arising out of any claim (a) for infringement of any patent, trademark, copyright, misappropriation of trade secrets, unfair competition or similar charge by any products supplied by Seller in accordance with the design or specifications furnished by Buyer, or (b) arising out of or connected with the products or any items into which the products are incorporated, including, but not limited to, any claim for product liability (whether or not based on negligence or strict liability of Seller), breach of warranty, breach of contract or otherwise.

5. ENTIRE AGREEMENT

These terms and conditions constitute the entire agreement between Buyer and Seller and supersede any inconsistent terms and conditions, whether contained in Buyer's purchase order or otherwise, and whether made heretofore or hereafter.

No statement or writing subsequent to the date hereof which purports to modify or add to the terms and conditions hereof shall be binding unless consented to in writing, which makes specific reference hereto, and which has been signed by the party against which enforcement thereof is sought. Seller reserves the right to change these terms and conditions without prior notice.



TSUBAKIMOTO CHAIN CO.

Head Office

Nakanoshima Mitsui Building
 3-3-3 Nakanoshima, Kita-ku
 Osaka 530-0005, Japan
 Phone : +81-6-6441-0011
 Facsimile : +81-6-6441-0489
 Internet:
<http://tsubakimoto.com/>

Main Division

Main Sales Department
 1-3 Kannabidai 1-chome
 Kyotanabe, Kyoto 610-0380, Japan
 Phone : +81-774-64-5023/4
 Facsimile : +81-774-64-5212

For further information please
 contact the Chain Division.



Kyotanabe Plant

Global Associated Offices

USA and Canada

301 E. Marquardt Drive
 Wheeling, IL 60090-6497
 U.S.A.
 Phone : +1-847-459-9500
 Facsimile : +1-847-459-9515

1630 Drew Road
 Mississauga, Ontario, L5S 1J6
 Canada
 Phone : +1-905-676-0400
 Facsimile : +1-905-676-0904

R. Pamplona, 1018 - C.J. 73/74
 Jd. Paulista - 01405-001
 São Paulo - S.P. Brazil
 Phone : +55-11-3253-5656
 Facsimile : +55-11-3253-3384

Netherlands

Aventurijn 1200, 3316 LB Dordrecht
 The Netherlands
 Phone : +31-78-6204000
 Facsimile : +31-78-6204001

Osier Drive, Sherwood Park
 Annesley, Nottingham
 NG15 0DX U.K.
 Phone : +44-1623-688-700
 Facsimile : +44-1623-688-789

and Singapore

25 Gul Lane
 Jurong
 Singapore 629419
 Phone : +65-6861-0422/3/4
 Facsimile : +65-6861-7035

Suite No. 312, 39/12, Haddows Road
 Nungambakkam
 Chennai - 600006, India
 Phone : +91-44-28303112
 Facsimile : +91-44-28303102

999/9 The Offices at Centralworld
 10th Floor, No. 1001, Rama 1 Road
 Pathumwan, Bangkok 10330 Thailand
 Phone : +66-2-264-5354/5/6
 Facsimile : +66-2-251-3912

Unit E, 95-101 Silverwater Road
 Silverwater, N.S.W. 2128
 Australia
 Phone : +61-2-9648-5269
 Facsimile : +61-2-9648-3115

No. 33, Lane 17, Zihciang North Road
 Gueishan Township, Taoyuan County
 Taiwan
 Phone : +886-33-293827/8/9
 Facsimile : +886-33-293065

Room 1712, Lippo Plaza
 No. 222 Huai Hai Zhong Road
 Shanghai 200021, China
 Phone : +86-21-5396-6651/2
 Facsimile : +86-21-5396-6628

72-5 Onsoo-Dong
 Kuro-Ku, Seoul
 Korea
 Phone : +82-2-2619-4711
 Facsimile : +82-2-2619-0819

Distributed by: